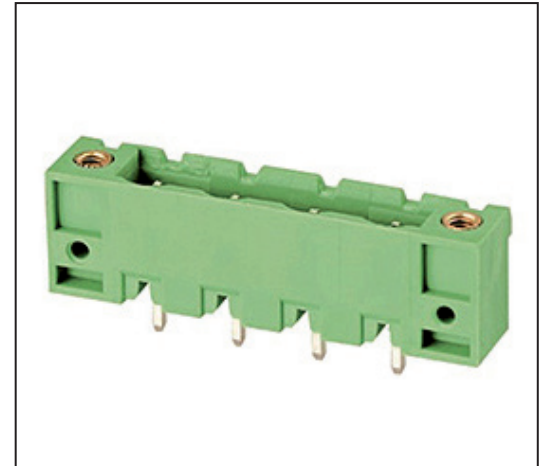
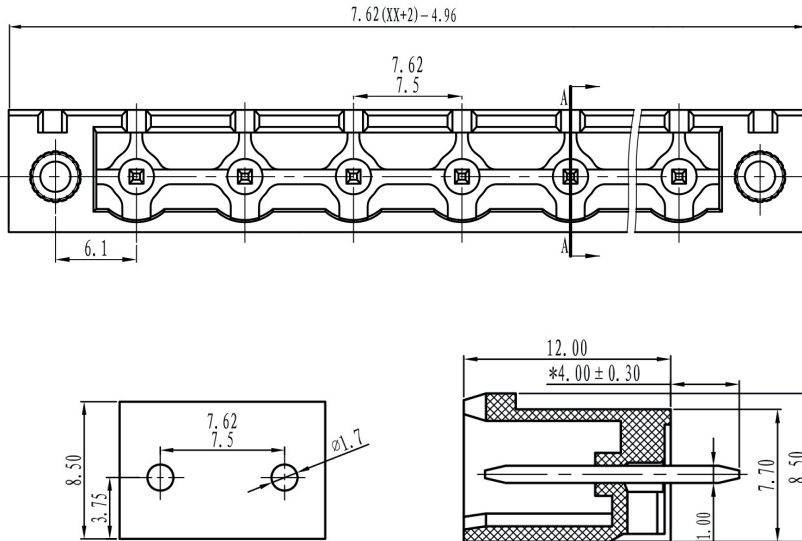


PCB Terminal Blocks Vertical Header with Screw Lock ASIWJ2EDGVM-7.62



Certification	
	UL [®] US
Material	
Locking Nut	M2.5, Brass Plated
Pin/Plate	Brass, Tin Plated
Housing	PA66, UL 94V-0, Green
Electrical	
Standard	UL 1059/CSA C22.2 No. 158
Rated Voltage	300 V
Rated Current	15 A
Contact Resistance	20mΩ
Insulation Resistance	500MΩ/500 Vdc
Withstand Voltage	2000 Vac/1 Min
Mechanical	
Temperature Range	-40°C...+105°C
Size	
Pitch	7.62 mm (.300")
Poles	2P-12P. Additional sizes available on request.

Item	No. of Poles	Length (mm)
ASIWJ2EDGVM-7.62-2P	2	25.52
ASIWJ2EDGVM-7.62-3P	3	33.14
ASIWJ2EDGVM-7.62-4P	4	40.76
ASIWJ2EDGVM-7.62-5P	5	48.38
ASIWJ2EDGVM-7.62-6P	6	56.0
ASIWJ2EDGVM-7.62-7P	7	63.62
ASIWJ2EDGVM-7.62-8P	8	71.24
ASIWJ2EDGVM-7.62-9P	9	78.86
ASIWJ2EDGVM-7.62-10P	10	86.48
ASIWJ2EDGVM-7.62-11P	11	94.1
ASIWJ2EDGVM-7.62-12P	12	101.72